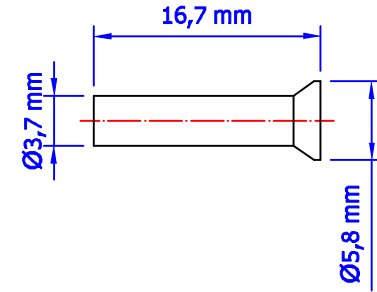
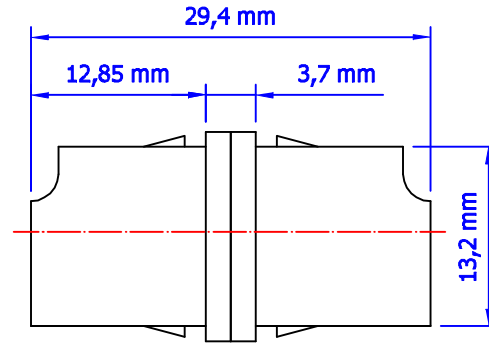
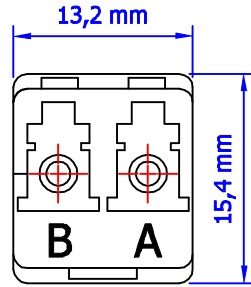
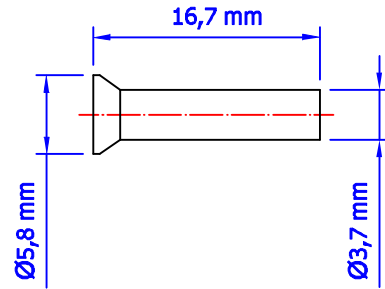


| VIEW     | TOLERANCE |      |
|----------|-----------|------|
|          | 0-10      | ±1   |
|          | 11-250    | ±5   |
|          | 251-500   | ±10  |
|          | 501-1000  | ±20  |
|          | 1001-3000 | ±50  |
| UNIT: mm | 3001-5000 | ±100 |
|          | 5001- >   | ±150 |



| Date        | 16.03.2016    | Rev. | Revision Detail | Rev.Dt. | Rev.by | Part No                        |       |          |
|-------------|---------------|------|-----------------|---------|--------|--------------------------------|-------|----------|
| Designed by | Yeşim AKSOY   | -    |                 |         |        | LC/PC MM DX<br>PLASTIC ADAPTER |       |          |
| Checked by  | Mevlüt GÜRBÜZ |      |                 |         |        |                                |       |          |
|             |               |      |                 |         |        | Drawing Nr.                    | Scale | Sheet No |
|             |               |      |                 |         |        | FO-06P21N1D02M                 | NONE  | 1/1      |