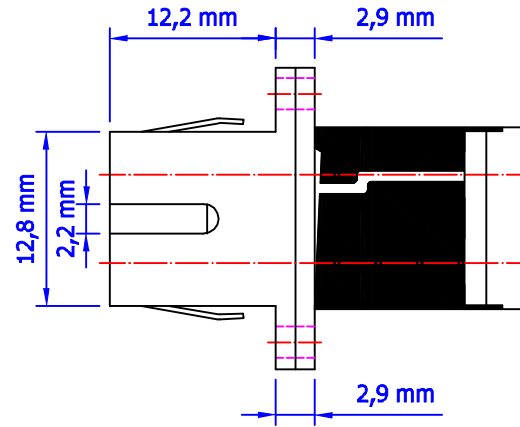
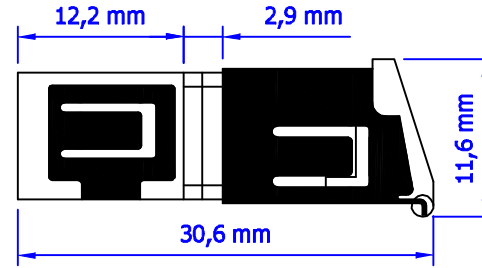
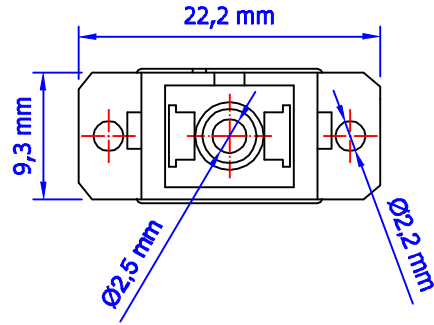


VIEW	TOLERANCE	
	0-10	±1
	11-250	±5
UNIT: mm	251-500	±10
	501-1000	±20
	1001-3000	±50
	3001-5000	±100
	5001- >	±150



Date	16.03.2016	Rev.	Revision Detail	Rev.Dt.	Rev.by	Part No		
Designed by	Yeşim AKSOY	-				SC/APC SM SX		
Checked by	Mevlüt GÜRBÜZ					PLASTIC SHUTTER LONG ADAPTER		
						Drawing Nr.	Scale	Sheet No
						FO-06P33N1S01A	NONE	1/1