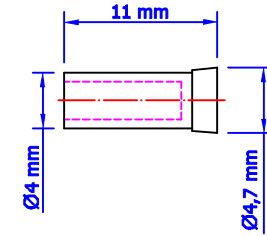
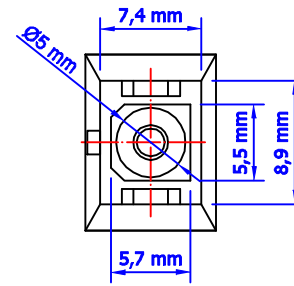
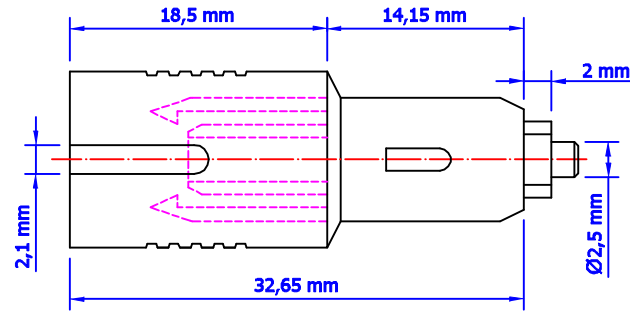
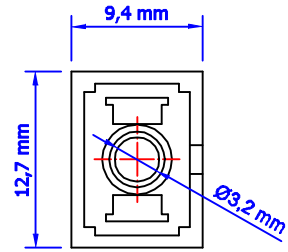


| VIEW     | TOLERANCE |      |
|----------|-----------|------|
|          | 0-10      | ±1   |
|          | 11-250    | ±5   |
|          | 251-500   | ±10  |
|          | 501-1000  | ±20  |
|          | 1001-3000 | ±50  |
| UNIT: mm | 3001-5000 | ±100 |
|          | 5001- >   | ±150 |



| Date        | 16.03.2016    | Rev. | - | Revision Detail |  | Rev.Dt. |  | Rev.by |  | Part No     | SC/PC SX<br>ATTENUATOR |          |  |
|-------------|---------------|------|---|-----------------|--|---------|--|--------|--|-------------|------------------------|----------|--|
| Designed by | Yeşim AKSOY   |      |   |                 |  |         |  |        |  | Drawing Nr. | Scale                  | Sheet No |  |
| Checked by  | Mevlüt GÜRBÜZ |      |   |                 |  |         |  |        |  | FO-0702MP4  | NONE                   | 1/1      |  |
|             |               |      |   |                 |  |         |  |        |  |             |                        |          |  |
|             |               |      |   |                 |  |         |  |        |  |             |                        |          |  |